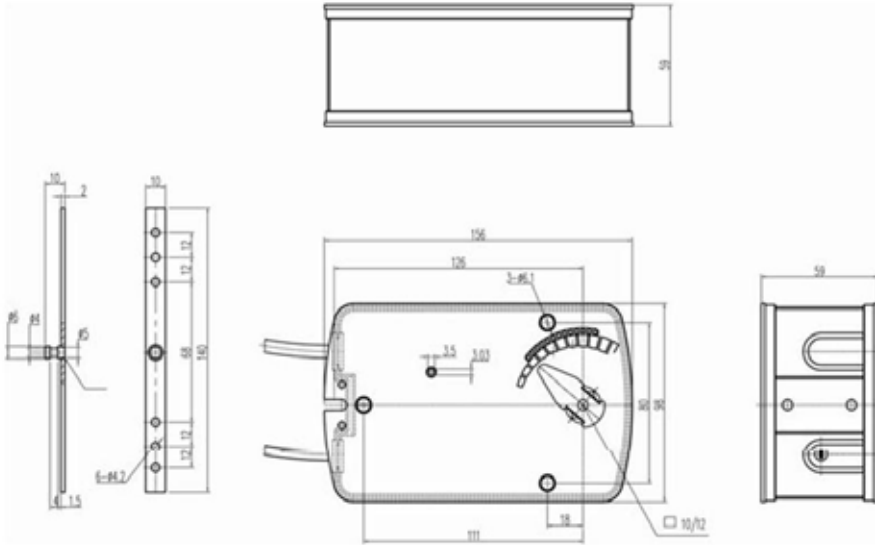


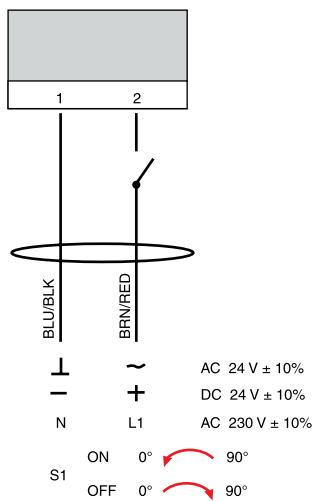
Dimensions (mm)

EFA06105 Fire Smoke Damper Actuators

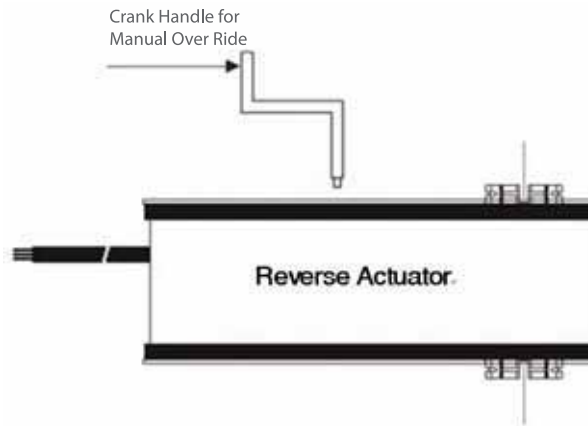
Actuator Dimensions (mm)



Wiring Diagram

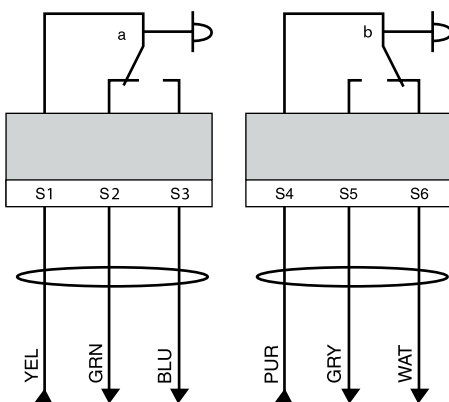


Changing direction of rotation



⚠ AC/DC 24V: Connect via safety isolating transformer.
 AC 230V: To isolate from the main power supply, the system must incorporate a device which disconnects the phase conductors (with a least a 3 mm contact gap)

Auxiliary switches (S)



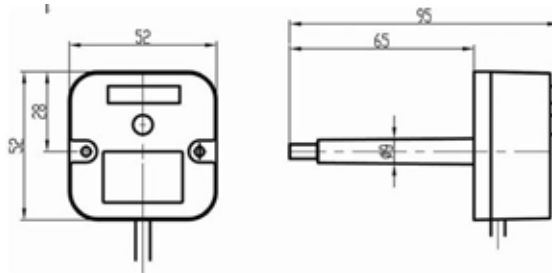
Product Application Reference Dimensions (mm)

Thermal Sensor NTS 72

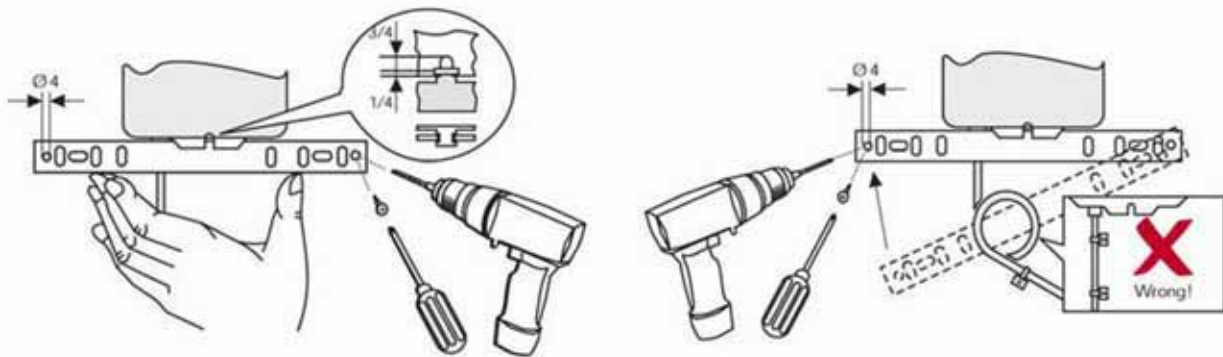
Thermal Sensor NTS 72 consist of both Ambient (TS1) and Duct sensor (TS2).

TS1 will trip open when the ambient temperature rise above 72°.

TS2 will trip open when the duct temperature rise above 72°.



Installation / Mounting



This device contain electrical and electronic components and may not be disposed as household garbage. Please consult your local authority for proper disposal.