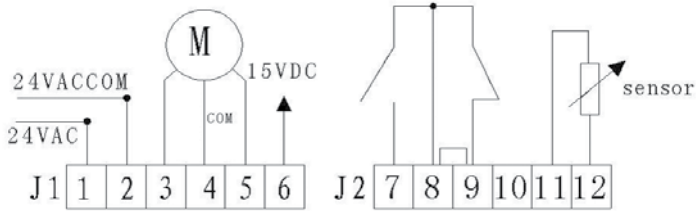


Dimensions (mm)

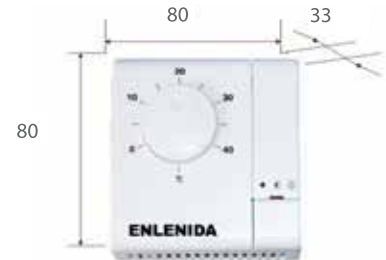
ETC series Proportional-plus-integral Controller

Wiring Diagram

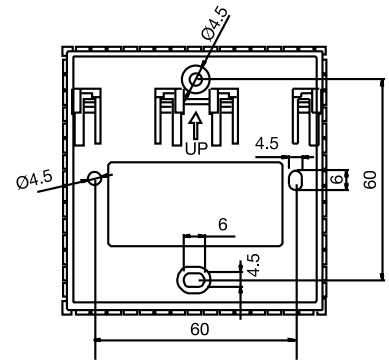
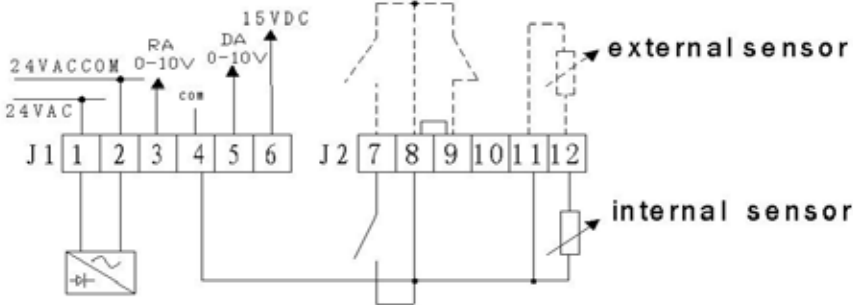
ETC2013



Dimensions



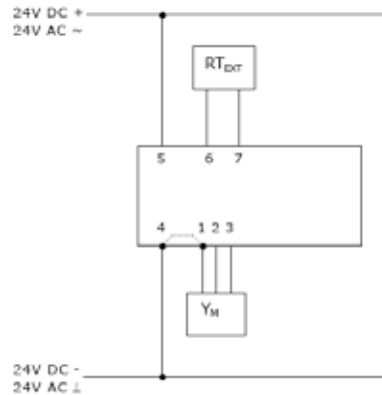
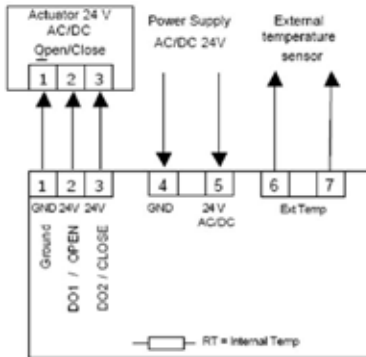
ETC2014



Wiring Diagram

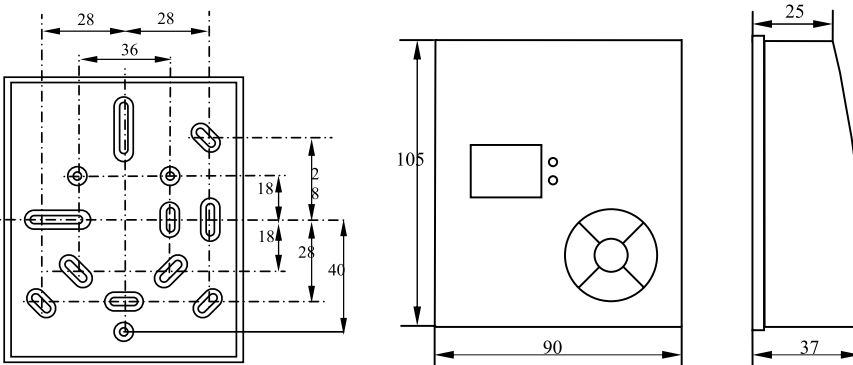
Connection Diagram

ETC2015



Legend:
RTEXT External temperature sensor
YM Actuator

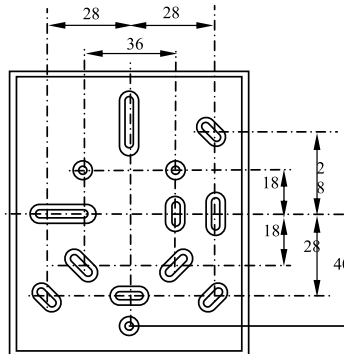
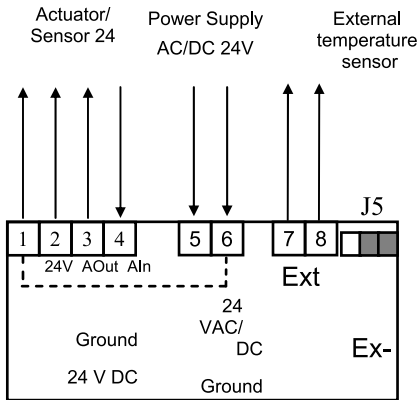
Dimensions



Product Application Reference Dimensions (mm)

ETC2016

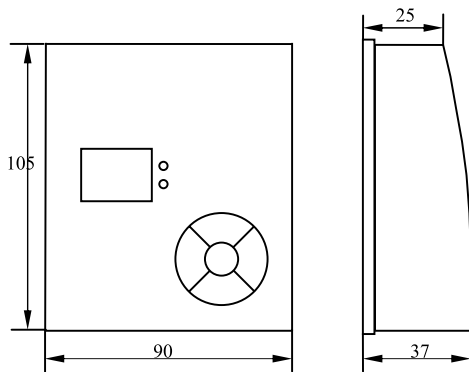
Wiring diagram



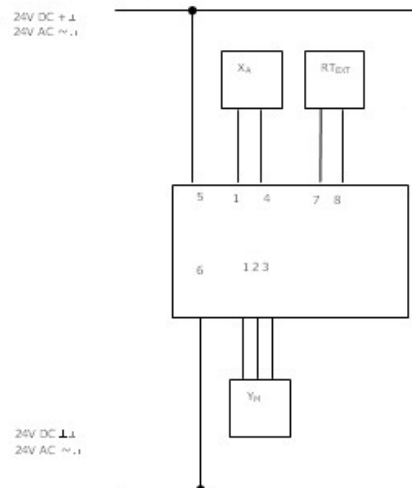
Legend:

1. Signal Ground
2. Actuator/Sensor power supply 24V DC.
For AC powered actuators or sensors use power from terminals 5/6.
3. 0...10V DC Output
4. 0...10V DC Input
5. Power supply 24 V AC/DC
6. Power supply Ground (linked to Signal Ground)
7. External temperature Sensor
8. External temperature Sensor J5 Jumper for external or internal temperature sensor

Dimensions



Connection Diagram



Legend:

- XA Analog sensor
- RTExt External temperature sensor
- YM Actuator

Operating Elements

